



DL-FLEX-HD

LED FLEXIBLE LINEAR
HIGH DENSITY STATIC SERIES

Type	
Project	
Catalog No.	



DESCRIPTION

DL-FLEX-HD is a high density FLEX LED light system featuring 66 LEDs per foot. The close proximity between LEDs provides a uniform beam pattern. FLEX-HD packs a powerful punch in a tiny footprint. The LEDs are 3 SDCM providing consistent color and no binning. Sold in rolls of 16 foot lengths or by the foot. Short cut length of 1-1/16". High density LEDs for a uniform beam pattern. ICs provide temperature control & constant current.

FEATURES

- Short cut length of 1-1/16"
- High density LEDs for a uniform beam pattern
- Temperature control, constant current IC
- Low power consumption, low heat output.
- No UV/IR radiation, no mercury.
- Even, 120 degree light distribution
- Mounts with 3M hi-bond adhesive
- Low profile and flexible (for bends 90 degrees or tighter do so at the cutting mark)
- High capacity LEDs are under-driven for heat reduction to ensure long operating life.
- Suitable for use in closet applications when installed with channel and lens in accordance to NEC
- 3 Step Mac Adam LED binning for uniformity in both color and intensity.

APPLICATIONS

- Cove, soffit, and accent lighting
- Path, contour, and edge lighting
- Signage, display, and back lighting
- Under-shelf and under-cabinet lighting

SPECIFICATIONS

Beam Angle	120°
Input Voltage	24V DC
CRI	~ 82
Lamp Life	50,000 hours
Dimensions	1/2"W x 1/4"H
LEDs (per ft)	66
Operating Temperature *	-22°F to 122°F
Max Run †	16 ft
Min Run †	1-1/16"
Environment	Indoor-Dry
Certifications	
Warranty	5 Years – see published warranty terms for detailed information.

LUMEN DATA

Color Temp	Watts * (per ft)	Lumens (per ft)	Efficacy (lm/W)
2500-2800K	5.0	365	73
3000-3300K	5.0	365	73
4000-4300K	5.0	390	78
6000-6500K	5.0	410	82

* Exceeding the operating temperature values may damage the LEDs by reducing the lifespan, lumen output, adversely impact color consistency, and void the warranty. It is recommended adequate airflow and heat sinking be taken into consideration in the installation and application of this product. Improper thermal management may lead to premature product failure.

† Single runs can not exceed max run lengths. Cuts can only be made on the cutting mark. Cut pieces cannot be joined.

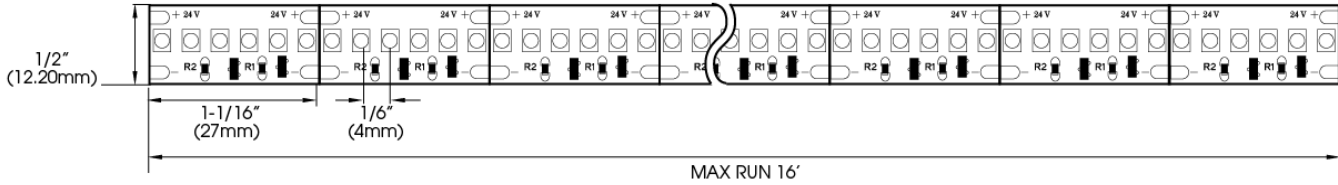


DL-FLEX-HD

LED FLEXIBLE LINEAR
HIGH DENSITY STATIC SERIES

Type	
Project	
Catalog No.	

DIMENSIONS



ORDERING INFORMATION

Order by the Foot:

SERIES	MODEL	COLOR
DL-FLEX	HD	
		27 : 2500-2800K
		30 : 3000-3300K
		40 : 4000-4300K
		60 : 6000-6500K

Order by the Roll:

SERIES	MODEL	COLOR	ROLL
DL-FLEX	HD		16FT
		27 : 2500-2800K	16FT : 16 Ft. Roll
		30 : 3000-3300K	
		40 : 4000-4300K	
		60 : 6000-6500K	

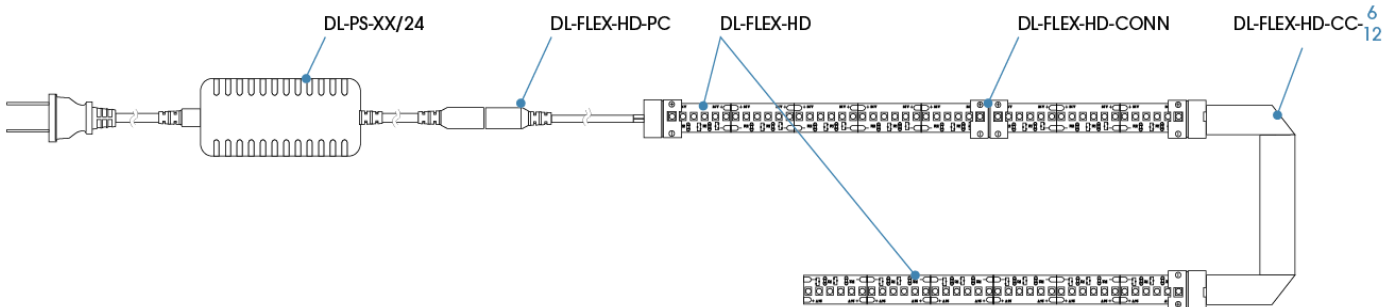
DL-FLEX-HD is sold by the foot or in 16 foot roll lengths.

Each 16ft roll includes 2 input power connectors pre-assembled to both ends of the roll.


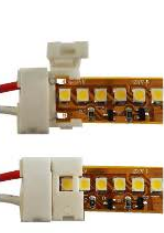

Example: 1 x DL-FLEX-HD-30

WIRING DIAGRAMS – For reference purposes only. Not for installation. Not to scale.

PLUG & PLAY



CONNECTING DL-FLEX-HD-PC and DL-FLEX-HD-CONN to DL-FLEX-HD

DL-FLEX-HD	DL-FLEX-HD-PC / DL-FLEX-HD-PC-HW	DL-FLEX-HD-CONN
 <p>LED STRIP ENDS WITH SOLDER JOINT WILL NOT WORK WITH CONNECTOR</p>	 <p>CHECK POLARITY</p>	 <p>CHECK POLARITY</p>

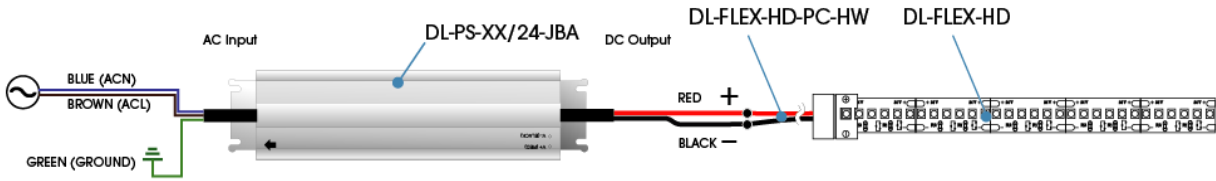


DL-FLEX-HD

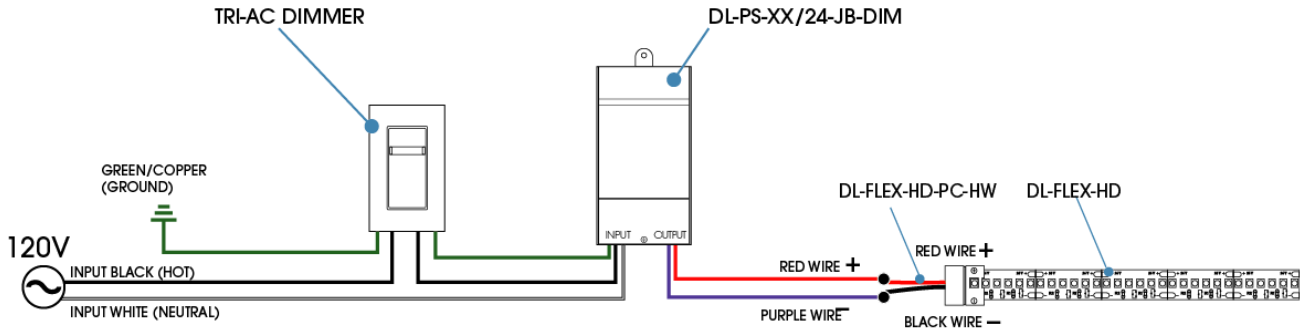
LED FLEXIBLE LINEAR
HIGH DENSITY STATIC SERIES

Type	
Project	
Catalog No.	

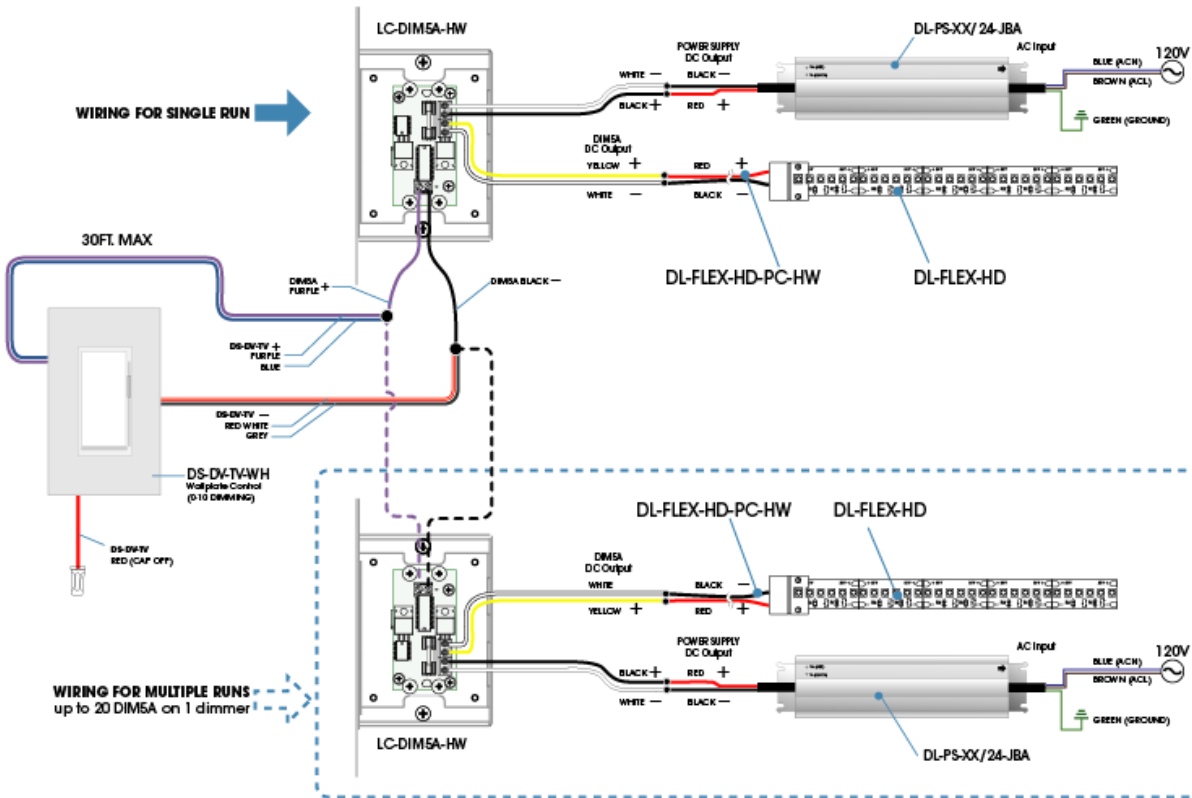
HARDWARE



HARDWARE • TRIAC (8W MIN. LOAD)



HARD-WIRE • 0-10V Dimming for multiple runs





DL-FLEX-HD

LED FLEXIBLE LINEAR
HIGH DENSITY STATIC SERIES

Type	
Project	
Catalog No.	

POWER SUPPLIES – See specification sheets for more information

If the Max Load of a power supply exceeds the fixture's Max Run, then you may install multiple runs per given power supply.
 Wattage = Max power capacity of power supply. May need to be de-rated if operating at max temperature.
 Max Load = Fixture quantity a power supply can power.
 Max Run = Maximum length of a single run.

Hard-Wire Power Supplies Wet, Damp, or Dry Location UL Listed (with Junction Box)		DL-FLEX-HD Max Run : 16 ft 5 W/ft
Model Number	Wattage	Max Load (ft)
DL-PS-80/24-JB-OD	80	14
DL-PS-96/24-JB-OD	96	16


Hard-Wire Power Supplies Dry Location UL Listed (with Junction Box)		DL-FLEX-HD Max Run : 16 ft 5 W/ft
Model Number	Wattage	Max Load (ft)
DL-PS-20/24-JBA	20	3
DL-PS-60/24-JBA	60	10
DL-PS-96/24-JBA	96	16

Hard-Wire Power Supplies Dry Location UL Recognized (with Junction Box)		DL-FLEX-HD Max Run : 16 ft 5 W/ft
Model Number	Wattage	Max Load (ft)
DL-PS-35/24-JB	35	6
DL-PS-60/24-JB	60	10
DL-PS-100/24-JB	96	16


Plug & Play Power Supplies Dry Location UL Listed		DL-FLEX-HD Max Run : 16 ft 5 W/ft
Model Number	Wattage	Max Load (ft)
DL-PS-WP24/24	24	4
DL-PS-24/24	24	4
DL-PS-48/24	48	8
DL-PS-60/24	60	10
DL-PS-100/24	90	16
DL-PS-100/24-CL2 *	96	16

* Class 2
Just


CONNECTORS




DL-FLEX-HD-PC
 Plug and Play Power Connector – 8 inch wire
 Can only be connected to ends cut along the cutting mark.
 Connector can not be connected at the soldered cut points on the tape found approximately every 12 inches.



DL-FLEX-HD-PC-HW
 Hard Wire Power Connector - 7 inch wire
 Can only be connected to ends cut along the cutting mark.
 Connector can not be connected at the soldered cut points on the tape found approximately every 12 inches.



DL-FLEX-HD-CONN
 2-Wire Direct Connector
 Connects cut ends where indicated by a cutting mark of DL-FLEX-HD
 Connector can not be connected at the soldered cut points on the tape found approximately every 12 inches.



DL-FLEX-HD-CC6 : 6 inch
DL-FLEX-HD-CC12 : 12 inch
 DL-FLEX-HD connecting cable
 Connects cut ends where indicated by a cutting mark of DL-FLEX-HD
 Connector can not be connected at the soldered cut points on the tape found approximately every 12 inches.



DL-FLEX-HD

LED FLEXIBLE LINEAR
HIGH DENSITY STATIC SERIES

Type	
Project	
Catalog No.	

DIMMING OPTIONS

DS-DV-TV-WH	Wall-Plate Dimmer
LC-DIM5A	0-10V Plug & Play Dimmer
LC-DIM5A-HW	0-10V Hardwire Dimmer
LC-DIM100-RF	Plug & Play Remote Step Dimmer
LC-DIM100-RF-HW	Hardwire Remote Step Dimmer
LC-200-RPT	Power Repeater
LC-DIM200-RF-HW	Simple Hand-held Radio Frequency Dimmer Controller
LC-RF-400H-DIM	Hand-held Radio Frequency Dimmer Controller
LC-RF-400W-DIM	Wall Mounted Radio Frequency Dimmer Controller
LC-RF-402W-DIM	Wall Mounted Dual Radio Frequency Dimmer Controller
LC-RF-400-RCV	Radio Frequency Receiver

See our complete line of remote, wall mounted and hand-held [DIMMING OPTIONS](#) online for more information.



MOUNTING ACCESSORIES

See Channel Feature Matrix below.

See our complete line of rough-in, recessed and surface mount [FLEXIBLE LINEAR MOUNTING CHANNELS](#) online for more information.





DL-FLEX-HD

LED FLEXIBLE LINEAR
HIGH DENSITY STATIC SERIES

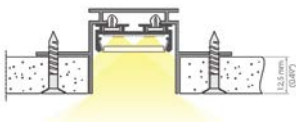
Type	
Project	
Catalog No.	

CHANNEL FEATURE MATRIX

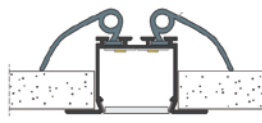
	ROUGH-IN				SMALL DEPTH PROFILE	
	CH-RI-11	CH-RI-12	CH-RI-13	CH-RI-14	CH-SM-33	CH-SM-34
DL-FLEX-UP	•	•	•	•	•	•
DL-FLEX-HO	•	•	•	•	•	•
DL-FLEX-UP-ULTRA	•	•	•	•	•	•
DL-FLEX-HD	•	•	•	•	•	•
DL-FLEX-UP-RGB	•	•	•	•	•	•
DL-FLEX-UP-CTA	•	•	•	•	•	•
DL-FLEX-OD	•	•	•	•		
Surface Mounting			C	C/E	D	
45° Mounting						
Recessed – For Miter Grooves					F	G
Rough-in – For Walls & Ceilings	A/B	A	A	A		
Adjustable Mounting						
Outdoor Mounting						
Flangeless			•	•	•	
Flanged	•	•				•
Lens Included					•	•
Lensless						
Lens – UV and Fire Rated up to 240F option	•	•	•			
Small Profile Depth – Diffused Light					•	•
Medium Profile Depth – More Diffused Light						
Large Profile Depth – Best Diffused Light	•	•	•	•	•	•
Aluminum – Anodized	•	•	•	•	•	•
MDF (easy paintable)					•	•
6 Ft. Length					•	•
6-1/2 Ft. Length (2 meters)	•	•	•	•		

SUGGESTED MOUNTING TECHNIQUES

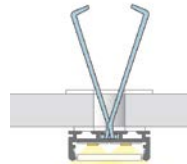
A Drywall Recessed Rough-In Mounting with Channel Housing



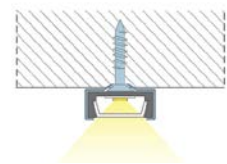
B Drywall Recessed Rough-In Mounting with Spring Clip



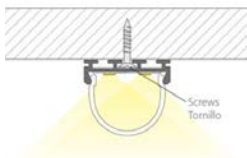
C Surface Mounting onto Drywall or Drop Ceilings



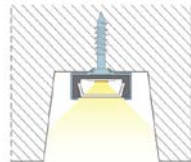
D Surface Mounting with Bracket



E Surface mounting by Sliding onto Flat Head Screws



F Recessed Mounting into Mitered Groove with Bracket



G Recessed Mounting into a Mitered Groove using a flanged Channel

